



T&S BRASS AND BRONZE WORKS, INC.

2 Saddleback Cove / P.O. Box 1088
Travelers Rest, SC 29690

Model No.

EX-1DMP08-H

Item No.

Travelers Rest, SC: 800-476-4103 • Simi Valley, CA: 800-423-0150 • Fax: 864-834-3518 • www.tsbrass.com

This Space for Architect/Engineer Approval

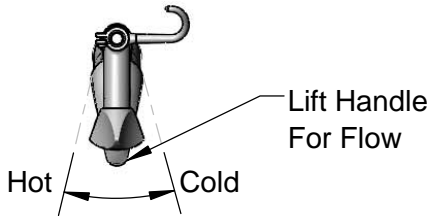
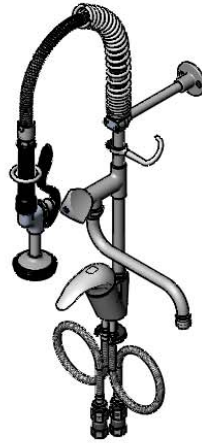
Job Name _____ Date _____

Model Specified _____ Quantity _____

Customer/Wholesaler _____

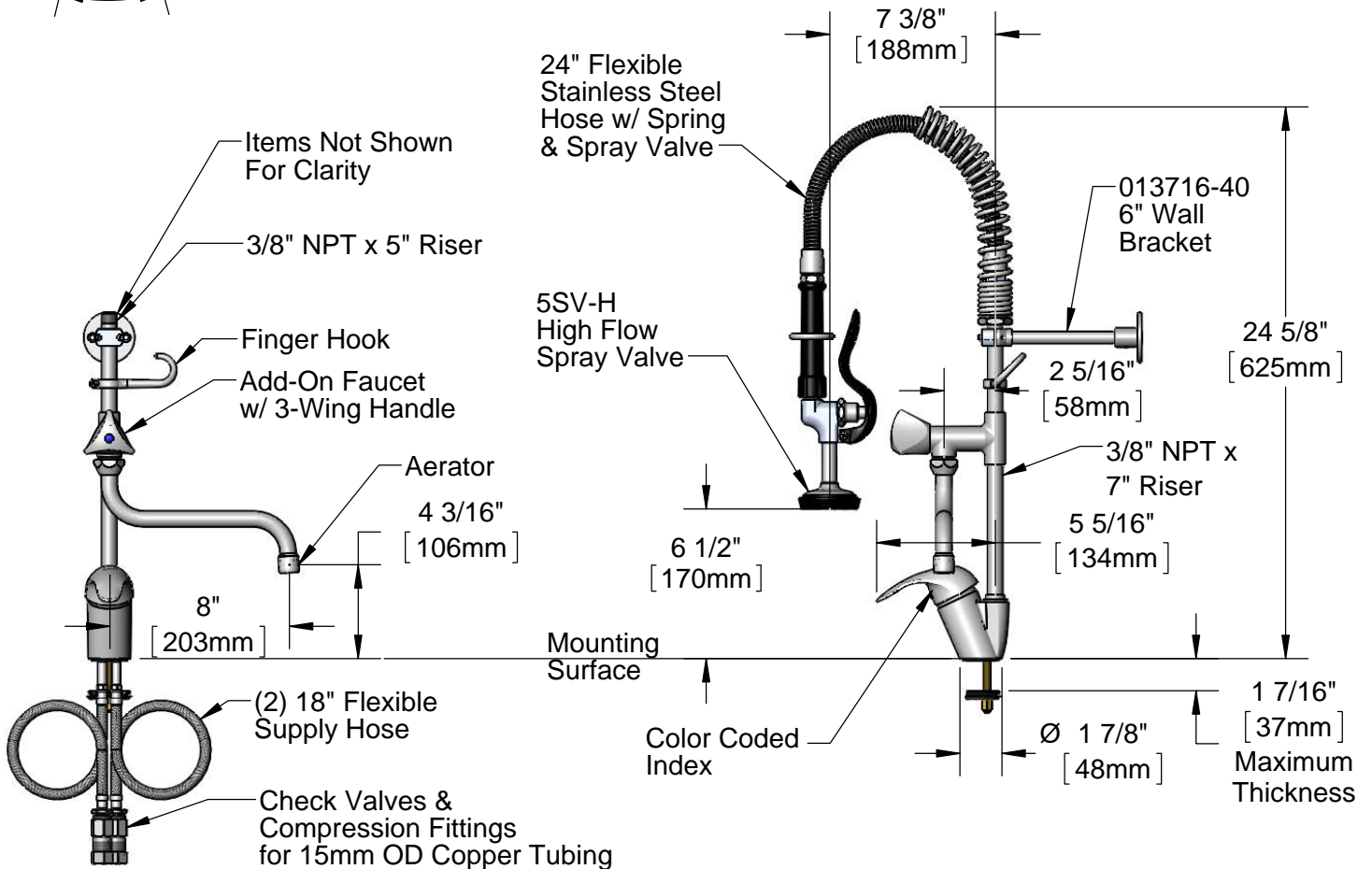
Contractor _____

Architect/Engineer _____



Lift Handle
For Flow

Hot Cold



Rough-in Requirement:
Ø1 1/2" [38mm] Mounting Hole

Product Specifications:

Mini Pre-Rinse Unit: Single Lever Deck Mount Faucet, Add-On Faucet, 8" Swing Nozzle, 5" & 7" Riser, 24" Flexible Stainless Steel Hose, High Flow Spray Valve, 6" Wall Bracket & 18" Flexible Supply Hoses w/ Check Valves

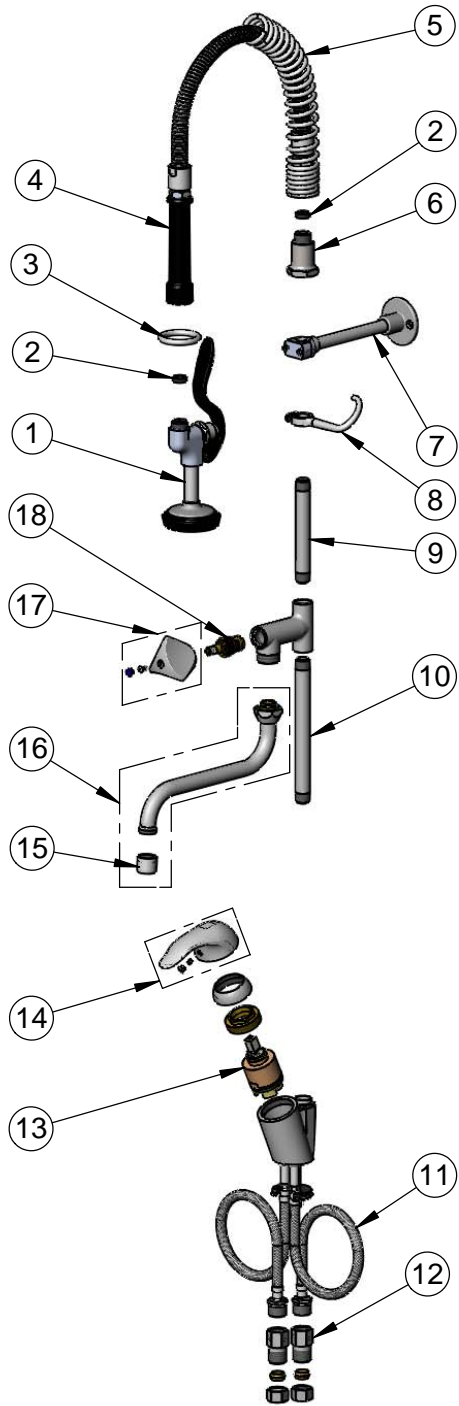
Product Compliance:



T&S BRASS AND BRONZE WORKS, INC.
 2 Saddleback Cove / P.O. Box 1088
 Travelers Rest, SC 29690

Model No.
EX-1DMP08-H
 Item No.

Travelers Rest, SC: 800-476-4103 • Simi Valley, CA: 800-423-0150 • Fax: 864-834-3518 • www.tsbrass.com



ITEM NO.	SALES NO.	DESCRIPTION
1	5SV-H	equip High Flow Spray Valve
2	010476-45	#27 Washer
3	000907-45	Spray Valve Hold Down Ring
4	5HSE44	equip 44" Flexible Stainless Steel Hose
5	016795-45	Compact Spring
6	000821-40	Spring Body
7	013716-40	6" Wall Bracket
8	004R	Finger Hook
9	000361-40	Nipple, 3/8" NPT x 5"
10	000363-40	Nipple, 3/8" NPT x 7"
11	012436-45	15mm Flexible Connector Hose (2)
12	016047-25	Check Valve Adapter
13	019215-45	40mm S/L Ceramic Cartridge (Tall)
14	019313-45	Single Lever Handle, Less Logo
15	EU-0199-M22-FFA	Full Flow Aerator, M22 x 1 Female
16	019475-45	8" Submarine Nozzle w/ Full Flow Aerator
17	019251-45	3 Wing Handle w/ Color Coded Indexes and Screw
18	019254-45	Cold RTC Ceramic Cartridge

Product Specifications:
 Mini Pre-Rinse Unit: Single Lever Deck Mount Faucet, Add-On Faucet,
 8" Swing Nozzle, 5" & 7" Riser, 24" Flexible Stainless Steel Hose,
 High Flow Spray Valve, 6" Wall Bracket & 18" Flexible Supply
 Hoses w/ Check Valves

Product Compliance: